



PREMIERE SERIES

GENERAL PARTS CATALOG



Call us for your Jacuzzi® part needs!
1-888-JWB-PART (592-7278)

Visit us on the web....
<http://www.ccowhirlpool.com>

Have a parts list? Send us a fax.
585-533-1349

REV 03.01.2002



PREMIERE SERIES



Call us for your Jacuzzi® part needs!
1-888-JWB-PART (592-7278)

TABLE OF CONTENTS

| | |
|--------------------------------------|---|
| J-Pump/Motor Assembly | 1 |
| HTE Jet Assembly | 2 |
| Spinning Neck Jet | 3 |
| BMH Jet Assembly | 4 |
| 3-Position Control Panel | 5 |
| 1-Position Control Panel | 6 |
| Suction Fitting/Cover Assembly | 7 |

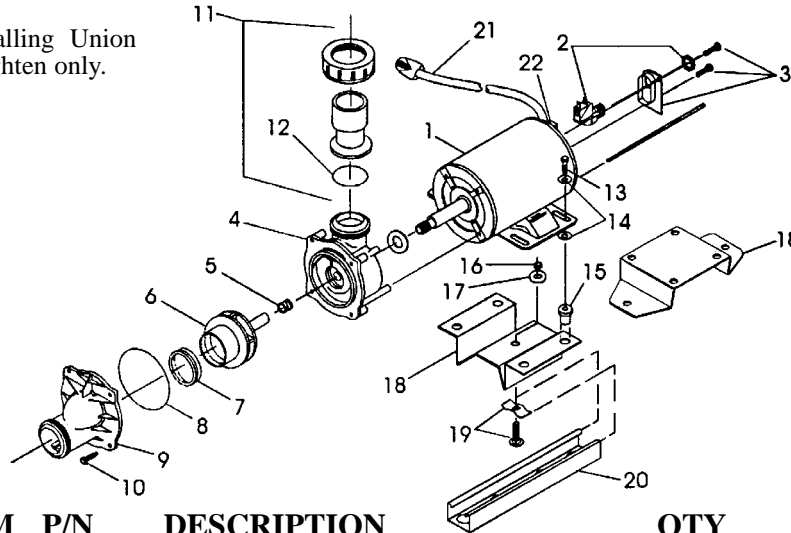
XXX-

| | |
|-------------------|------|
| White | .959 |
| Natural | .958 |
| Onyx | .917 |
| Zinfandel | .962 |
| Silk | .969 |
| Platinum | .945 |
| Sandalwood | .904 |
| Oxford Blue | .984 |

REV 03.01.2002

J-PUMP/MOTOR ASSEMBLY

NOTE: When installing Union Adapter(s) hand-tighten only.



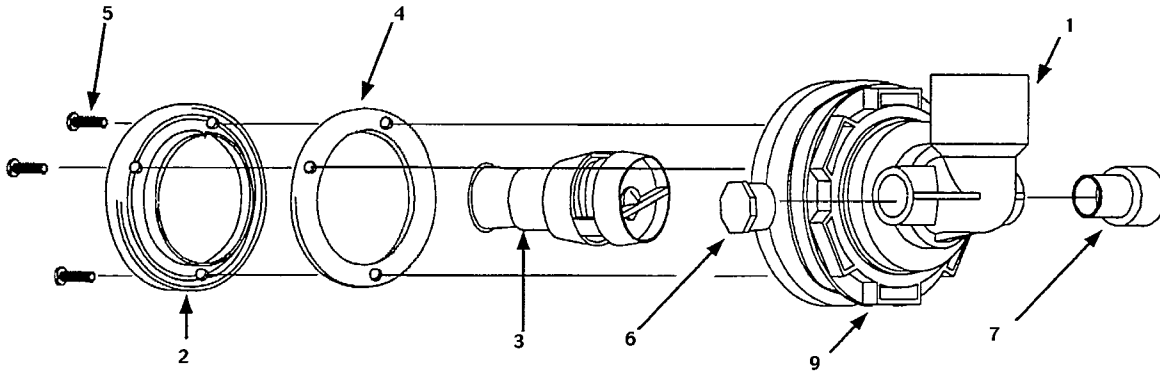
| ITEM | P/N | DESCRIPTION | QTY |
|------|---------|---------------------------------------|-----|
| *1 | C049000 | Motor Assy, Low, W/Cord & Switch | 1 |
| **1 | E672000 | Motor Assy, High, W/Cord & Switch | 1 |
| 2 | 7396000 | Switch, SPDT, 21 Amp, Air Actuated | 1 |
| 3 | E698000 | Enclosure, Air Switch | 1 |
| 4 | F156000 | Bracket, J-Light | 1 |
| 5 | 9245000 | 5/8" Mechanical Seal | 1 |
| 6 | 9221000 | Impeller, Low, J-Pump | 1 |
| 6 | C117000 | Impeller, High, J-Pump | 1 |
| 7 | 9243000 | Eye Seal | 1 |
| 8 | 9246000 | O-Ring | 1 |
| 9 | F157000 | Suction Flange, J-Light | 1 |
| 10 | F158000 | Screw, Hex, Wshr Hd, 1/4-14 x 1.00"L. | 4 |
| 11 | 9250000 | Repair Kit Union Adapter | 1 |
| 12 | 9231000 | O-Ring, Union | 1 |
| 13 | 3945832 | Bolt Hex, 1/4-20 x 1.00"L. | 4 |
| 14 | 3982832 | Washer, 1/4 Fit Type A Pin Wd Ser | 8 |
| 15 | 9216000 | Wellnut Rubber, 1/4-20 | 4 |
| 16 | 4034832 | Nut Lockng Hd Kep Type, 1/4-20 | 1 |
| 17 | 4006832 | Washer, 1/4 Fit Type B Pin Wd Ser | 1 |
| **18 | 9217000 | Bracket, Motor | 1 |
| **18 | H333000 | Bracket, Motor, 2" High | 1 |
| 19 | 9214000 | Stud Nut 1/4-20 x 1.25"L. | 1 |
| 20 | 9213000 | Channel, 1.63 x.81 x 9.38 | 1 |
| 21 | C843000 | Cord, Power Supply, 115V, 15A., 3 Ft. | 1 |
| 21 | E701000 | Cord, Power, 115 VAC, 20 A | 1 |
| 22 | 2133000 | Ground Lug | 1 |

* Complete Pump/Motor Assy H412000

** Complete Pump/Motor Assy C848000

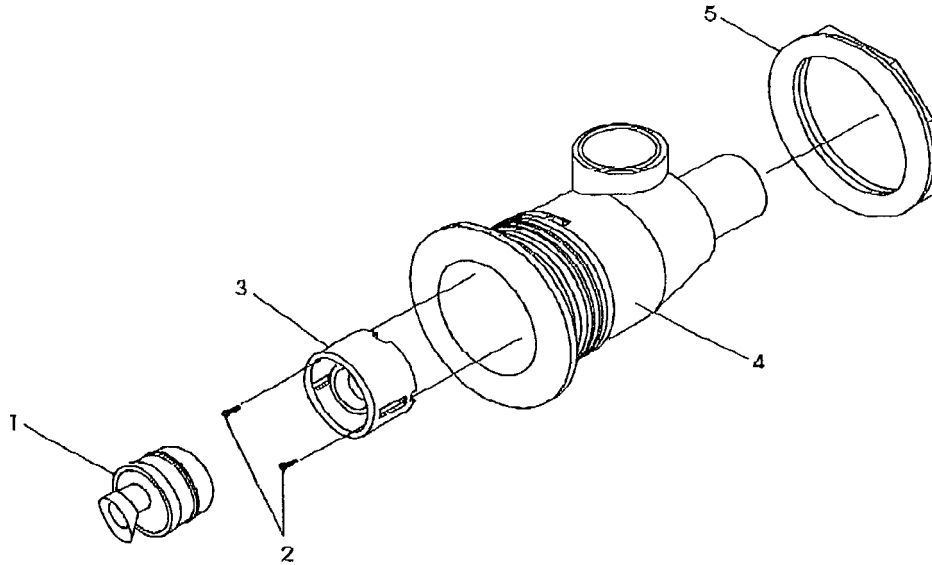
*** Depending upon installation, select appropriate bracket.

HTE JET



| ITEM | P/N | DESCRIPTION | QTY |
|------|---------|---------------------------------|-----|
| 1 | A320XXX | Body, HTC | 1 |
| 2 | A325XXX | Clamping Ring, HTC | 1 |
| 3 | P597XXX | Swivel Assembly, HTC Modified | 1 |
| 4 | 1840000 | Gasket, Clamping Ring | 1 |
| 5 | 9356000 | Screw, Thd Frm PHP #6-19 x .5"L | 3 |
| 6 | B777000 | Plug, 1/2" SPIG | 1 |
| 7 | C279000 | Air Line Adapter | 1 |
| 8 | 1836000 | Back Up Ring, AMH | 1 |
| 9 | 1835000 | Lock-Nut, AMH | 1 |

SPINNING NECK JET

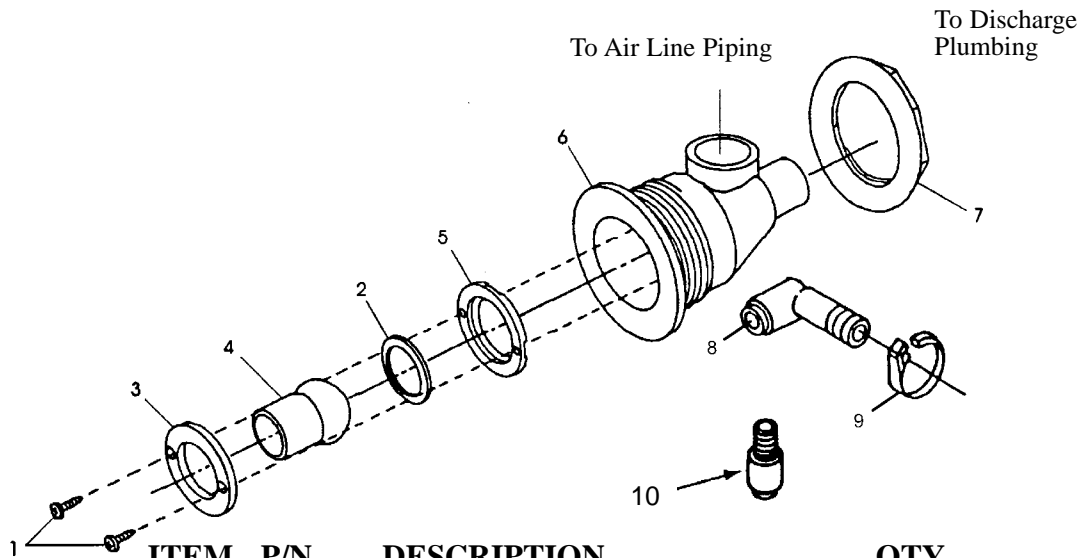


| ITEM | P/N | DESCRIPTION | QTY |
|------|---------|---|-----|
| 1 | P123XXX | Nozzle Assembly, Power Pulse Jet | 1 |
| 2 | 7514000 | Screw, Thrd Cutting, PHP #4 x .38 lt 25 | 2 |
| 3 | P461XXX | Fitting, Power Pulse Jet | 1 |
| 4 | 8411XXX | Body, BMH | 1 |
| 5 | 8415000 | Nut, BMH | 1 |
| N.S. | P551827 | Face Ring, Spinning Jet, Chrome | 1 |
| N.S. | P551829 | Face Ring, Spinning Jet, Bright Brass | 1 |
| N.S. | P551898 | Face Ring, Spinning Jet, Brushed Chrome | 1 |

NOTE: A Spin Jet Conversion Kit-P/N P124XXX-is also available. This kit includes Items 1 and 3.

REV 03.01.2002

BMH JET

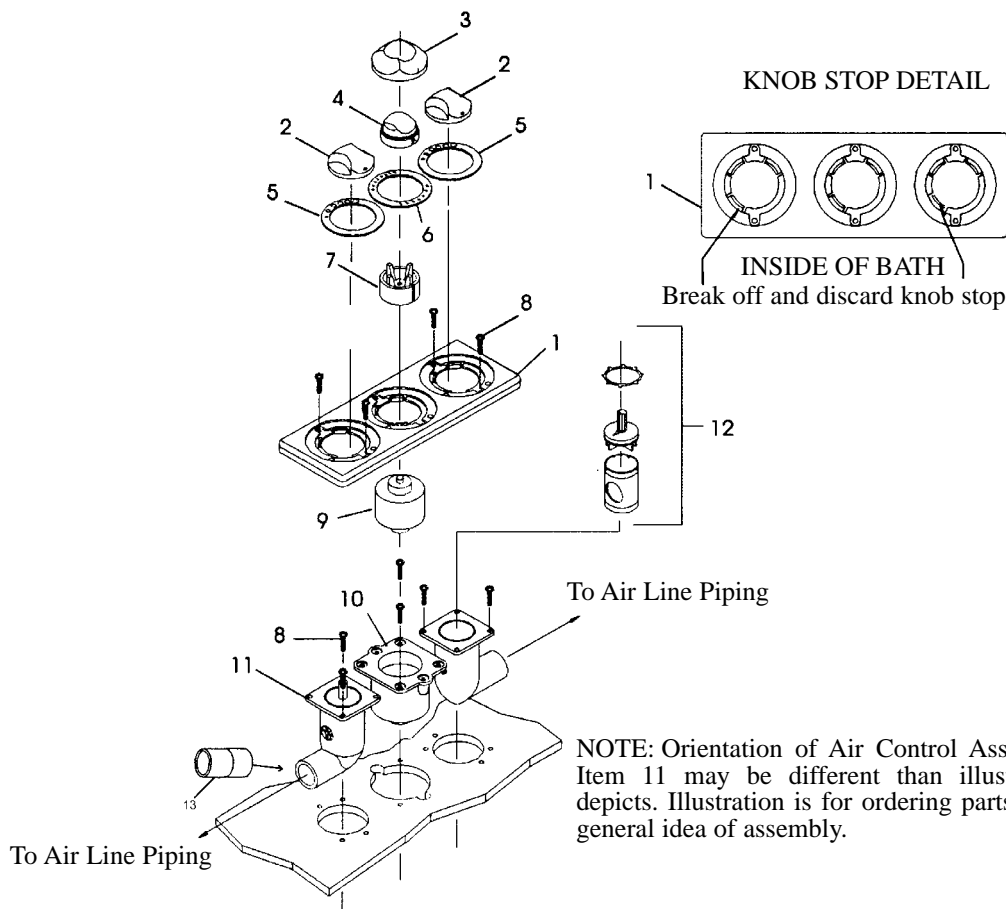


| ITEM | P/N | DESCRIPTION | QTY |
|------|---------|------------------------------------|-----|
| 1 | 7514000 | Screw, Thread Cutting, PHP #4 | 2 |
| 2 | 8488000 | O-Ring, .926 I.D. x .70 | 1 |
| 3 | 8412914 | Retainer, Nozzle-BMH, Almond | 1 |
| 3 | 8412917 | Retainer, Nozzle-BMH, Black | 1 |
| 3 | 8412940 | Retainer, Nozzle-BMH, White | 1 |
| 3 | 8412945 | Retainer, Nozzle-BMH, Silver | 1 |
| 3 | 8412949 | Retainer, Nozzle-BMH, Rose | 1 |
| 3 | 8412951 | Retainer, Nozzle-BMH, Shell | 1 |
| 3 | 8412962 | Retainer, Nozzle-BMH, Dusty Orchid | 1 |
| 4 | 8413914 | Nozzle, BMH, Almond | 1 |
| 4 | 8413917 | Nozzle, BMH, Black | 1 |
| 4 | 8413940 | Nozzle, BMH, White | 1 |
| 4 | 8413945 | Nozzle, BMH, Silver | 1 |
| 4 | 8413949 | Nozzle, BMH, Rose | 1 |
| 4 | 8413951 | Nozzle, BMH, Shell | 1 |
| 4 | 8413962 | Nozzle, BMH, Dusty Orchid | 1 |
| 5 | 8487914 | Internal O-Ring Seat Almond | 1 |
| 5 | 8487917 | Internal O-Ring Seat Black | 1 |
| 5 | 8487940 | Internal O-Ring Seat White | 1 |
| 5 | 8487945 | Internal O-Ring Seat Silver | 1 |
| 5 | 8487949 | Internal O-Ring Seat, Rose | 1 |
| 5 | 8487951 | Internal O-Ring Seat Shell | 1 |
| 5 | 8487962 | Internal O-Ring Seat Dusty Orchid | 1 |
| 6 | 8411914 | Body, BMH, Almond | 1 |
| 6 | 8411917 | Body, BMH, Black | 1 |
| 6 | 8411940 | Body, BMH, White | 1 |
| 6 | 8411945 | Body, BMH, Silver | 1 |
| 6 | 8411949 | Body, BMH, Rose | 1 |
| 6 | 8411951 | Body, BMH, Shell | 1 |
| 6 | 8411962 | Body, BMH, Dusty Orchid | 1 |
| 7 | 8415000 | Nut BMH | 1 |
| 8 | 1464000 | Hose Adapter 90° | 1 |
| 9 | 2181000 | Hose Clamp | 1 |
| 10 | 1463000 | Hose Adapter Straight | 1 |
| N.S. | H685827 | Face Ring, BMH, Chrome | 1 |
| N.S. | H685829 | Face Ring, BMH, Bright Brass | 1 |
| KIT | BMHXXX | Complete BMH Jet Assy. (parts 1-7) | 1 |

REV 03.01.2002

3 POSITION CONTROL PANEL

NOTE: Introduced 12/1/92



NOTE: Orientation of Air Control Assembly Item 11 may be different than illustration depicts. Illustration is for ordering parts for a general idea of assembly.

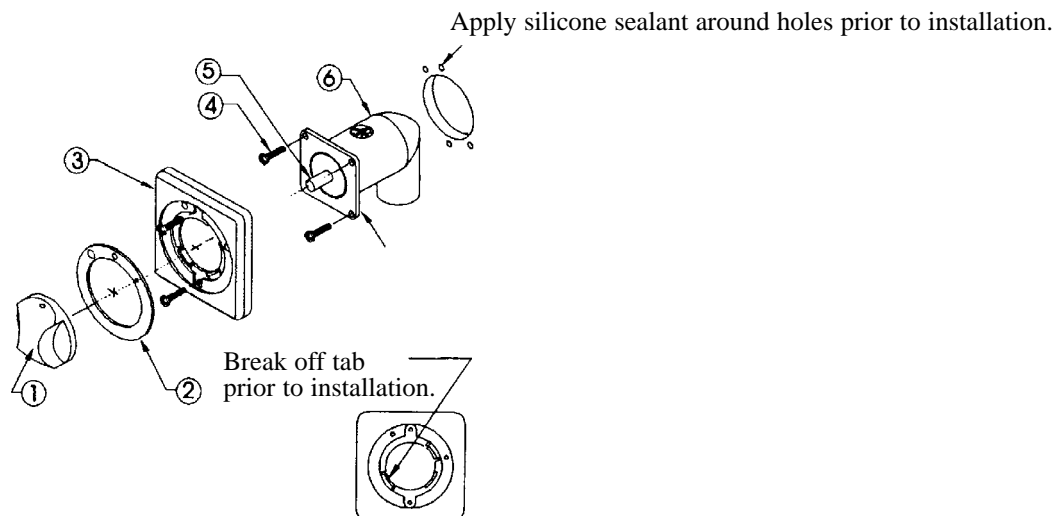
| ITEM | P/N | DESCRIPTION | QTY |
|------|---------|------------------------------|-----|
| 1 | 9224xxx | Panel, 3-Position | 1 |
| 2 | 8267xxx | Knob, .25 Shaft Assembly | 2 |
| 3 | 8247xxx | Bezel, Actuator | 1 |
| 4 | 8246xxx | Button, Air Actuator | 1 |
| 5 | 8263000 | Ring, Graphic Air | 2 |
| 6 | 8262000 | Ring, Graphic, ON-OFF | 1 |
| 7 | C842000 | Guide, Air Actuator | 1 |
| 8 | 9724000 | Screw, Thd Ctg, 4-24 x .5 | 10 |
| 9 | C377000 | Bellows, Air Actuator | 1 |
| 10 | C841000 | Cup, Air Actuator | 1 |
| 11 | 7510000 | Air Control Assembly | 2 |
| *12 | 8399000 | Repair O-Ring/Valve Assembly | 2 |
| 13 | 0647000 | Coupling 1/2" SxS | 1 |

xxx = Color Select

* When Item 11 is ordered, Item 12 is included. Item 12 can be ordered separately.

REV 03.01.2002

1 POSITION CONTROL PANEL

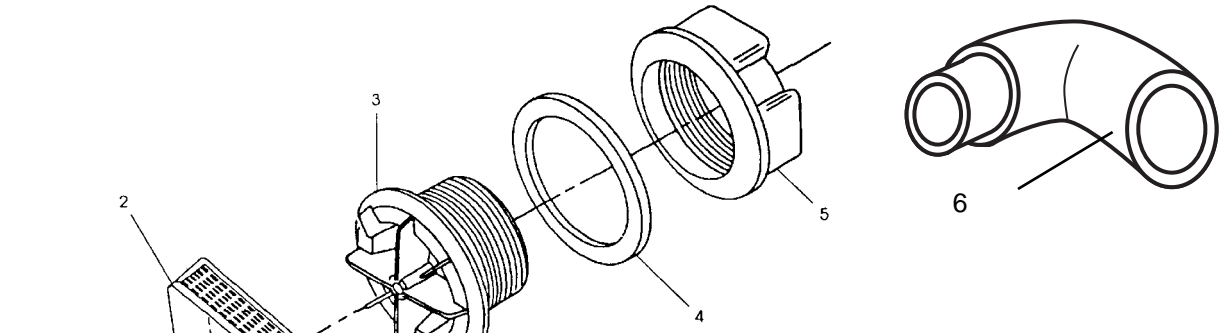


| ITEM | P/N | DESCRIPTION | QTY |
|------|---------|---------------------------------|-----|
| 1 | 8267XXX | Knob, .25 Shaft, Assy | 1 |
| 2 | 8263000 | Ring, Graphic, Air | 1 |
| 3 | D851XXX | Panel, 1 Position | 1 |
| 4 | 9724000 | Screw, Thd Ctg. 4-24 x .5 Ty 25 | 4 |
| 5 | 8399000 | Repair O-Ring/Valve Assy | 1 |
| 6 | 7510000 | Air Control Assy | 1 |

Item 5 is included with Item 6.
 Item 5 can be ordered separately.

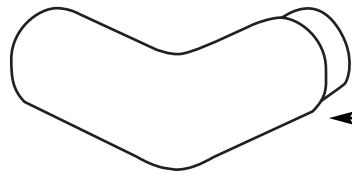
REV 03.01.2002

SUCTION FITTING/COVER ASSEMBLY



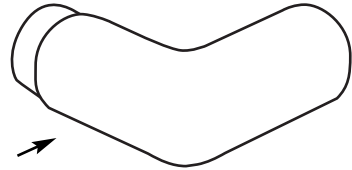
| ITEM | P/N | DESCRIPTION | QTY |
|-----------|------------------------------|---|-----|
| 1 | 3959000 | Screw, OHPM #10-24 x 2"L. | 1 |
| 2 | 6651904 | Suction Cover/Gasket Assy, Tan | 1 |
| 2 | 6651914 | Suction Cover/Gasket Assy, Almond | 1 |
| 2 | 6651917 | Suction Cover/Gasket Assy, Black | 1 |
| 2 | 6651922 | Suction Cover/Gasket Assy, Cinnabar | 1 |
| 2 | 6651924 | Suction Cover/Gasket Assy, Blue | 1 |
| 2 | 6651940 | Suction Cover/Gasket Assy, White | 1 |
| 2 | 6651945 | Suction Cover/Gasket Assy, Silver | 1 |
| 2 | 6651949 | Suction Cover/Gasket Assy, Rose | 1 |
| 2 | 6651951 | Suction Cover/Gasket Assy, Shell | 1 |
| 2 | 6651952 | Suction Cover/Gasket Assy, Raspberry | 1 |
| 2 | 6651953 | Suction Cover/Gasket Assy, Gray | 1 |
| 2 | 6651956 | Suction Cover/Gasket Assy, Pink | 1 |
| 2 | 6651962 | Suction Cover/Gasket Assy, Dusty Orchid | 1 |
| *3 | 1958000 | Suction Fitting Sub-Assembly | 1 |
| 4 | 2136000 | Ring, Back-Up | 1 |
| 5 | 1643000 | Locknut, Suction Fitting | 1 |
| 6 | SEE ELBOW DESCRIPTIONS BELOW | | 1 |
| * 1958KIT | | Includes parts 3,4, & 5 | |

ELBOW DESCRIPTIONS



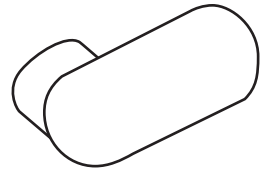
P/N 4517000 Ell, Street 2", 90°, Machined RH

TAPT BOTTOM SIDE

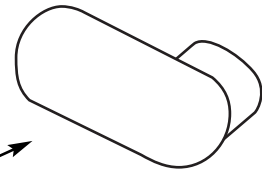


P/N 4518000 Ell, Street 2", 90°, Machined LH

TAPT BOTTOM SIDE



P/N B072000 Ell, Drain Down, RH



P/N B071000 Ell, Drain Down, LH

PRODUCT SPECIFICATIONS ARE SUBJECT TO CHANGE WITHOUT NOTICE.
USE INSTALLATION INSTRUCTIONS SUPPLIED WITH PRODUCT.

CCO WHIRLPOOL & SPA SERVICE

6075 East Henrieta Road
P.O. Box 8
Rush, New York 14543-0008

Customer Service: 888-JWB-PART (592-7278)

Fax: 585-533-1349

© 2002 CCO Whirlpool & Spa Service All Rights Reserved. No portion of this catalog may be copied, reproduced nor distributed, electronically or otherwise, without the express written permission of CCO Whirlpool & Spa Service and Jacuzzi® Inc., Jacuzzi® Jacuzzi Whirlpool Bath®

The following are registered trademarks of Jacuzzi Inc., Jacuzzi, Jacuzzi Whirlpool Bath, Alena, Amiga, Appello, Bianca, Bolini, Bonaire, Calletti, Capella, Caselle, Cetra, Chipriani, Civa, Donnieli, DuraTuff, Felice, Formosa, Fresco, Gio, J-Stone, Luxura, Magic Touch, Magna, Majora, Milano, Mito, Navona, Nicolo, Niveo, Nova, Paolo, Pavia, PowerPro, RapidHeat, Riva SeaCrest, Signa, SteamPro, Stellaria, Stylos, Tara, Torino, Trevi, Tru-Level, Valletta, Vantage and Water Rainbow.

REV 03.01.2002