



GENERAL PARTS CATALOG



Call us for your Jacuzzi® part needs!
1-888-JWB-PART (592-7278)

Visit us on the web....
<http://www.ccowhirlpool.com>

Have a parts list? Send us a fax.
585-533-1349



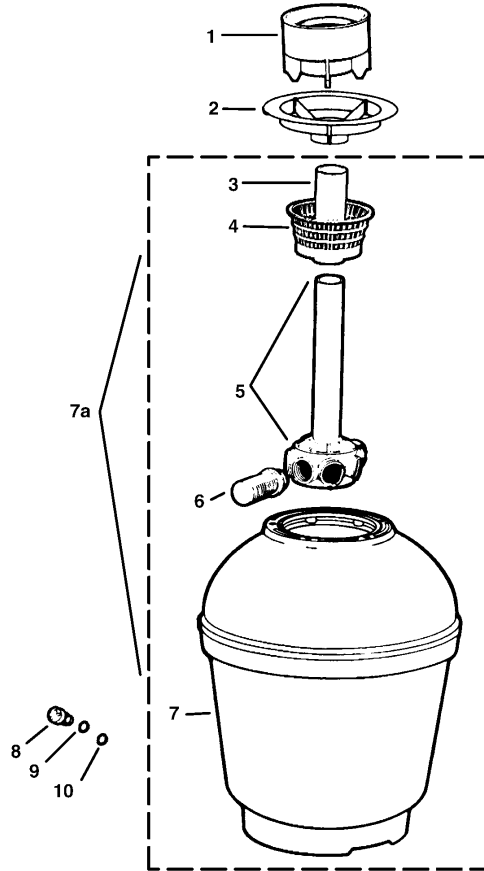
Call us for your Jacuzzi® part needs!
1-888-JWB-PART (592-7278)



TABLE OF CONTENTS

Sand Filter	1
MFM Series	2
Model SS160 & SS18.5 Sand Systems	3
RV Pump Repair Parts	4
1-1/2" Dial Valves	5
Model K Pump	6
Models CE40, CE60	7
DE Filter	8
Models 50EF, 75EF	9
25EF & 37EF SplashPak	10
System Components	11

PARTS FOR SAND FILTER

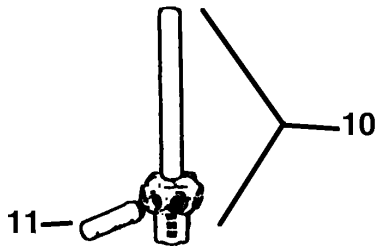
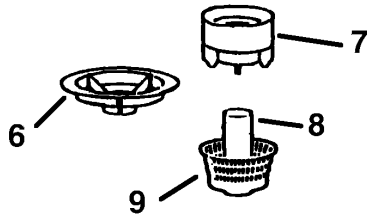
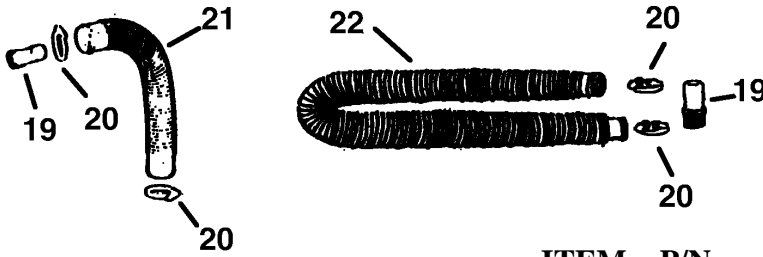


ITEM	P/N	DESCRIPTION
1	43-0715-05-R	Diverter
2	22-5522-02-R	Fill Spout
3	31-0113-64-R004	Upper Standpipe 1-1/2" x 4-1/2"
4	88-1580-01-R	Basket
5	42-2860-05	Standpipe/Manifold/Sup. Sleeve Assy.
6	85-5320-00-R	Laterals (8 Req'd)
7		Tank w/Support Sleeve
7a		MFM 15 System Repl Tank Assy
8	31-1609-06-R	Plug 1/4" Tank Drain
9	47-0112-00-R	O-Ring F/Drain Plug
10	14-4249-07-R	PL #12-14 x 1 LG Hex Wash Hd (3 Req'd)

Manual E-1508

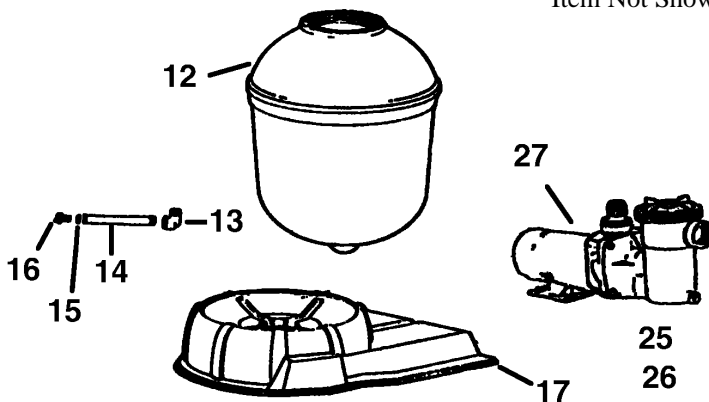
REV: 03.01.02

PARTS FOR MFM SERIES



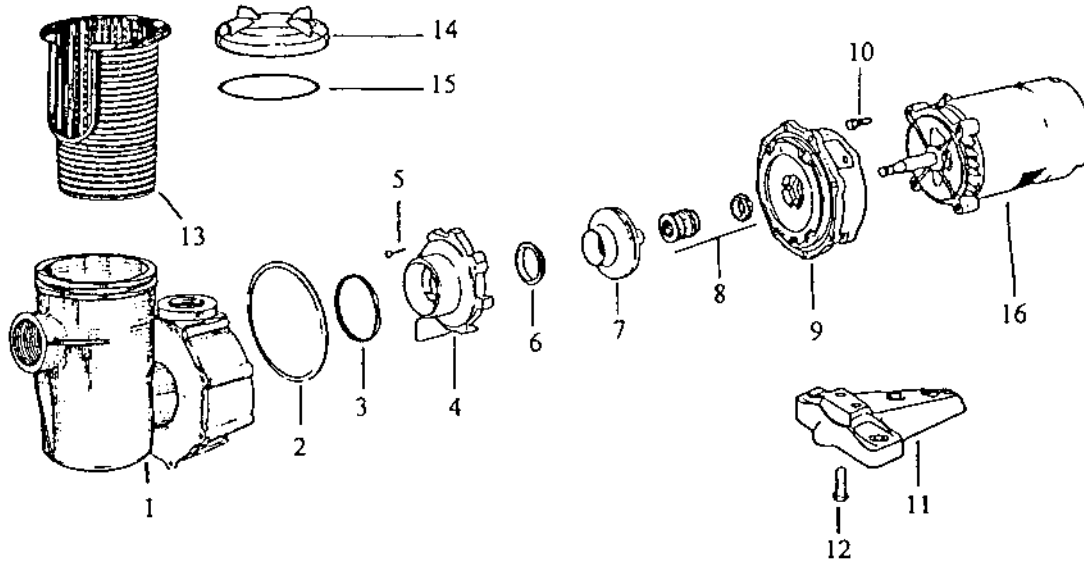
ITEM	P/N	DESCRIPTION
1	39-2583-06-R	6-Way Dial Valve
2	14-0743-06-R	Hex Capscrew 5/16 - 18 x 1 (6 required)
3	13-0378-09-R	Gasket
6	22-5522-02-R	Fill Spout 9869
7	43-0715-05-R	Diverter 011175 (Effective 11/1/90)
8	31-0113-64-R004	Upper Pipe 1-1/2 x 4-1/2 PVC 160 (Effective 11/1/90)
9	88-1580-01-R	Filter Basket (Effective 11/1/90)
10	42-2847-03	MFM 17 Standpipe/Manf. Assy.
11	85-5321-09-R	MFM Laterals (8 required)
12		MFM Tank Housing
13	31-1632-07-R	Drain Elbow
14	31-1648-09-R	Drain Pipe
15	47-0013-00-R	Drain O-Ring
16	31-1609-06-R	Drain Plug
17	12-1118-03-R	Base Assembly
18	31-1651-03-R	Backwash Adapter
19	31-1590-07-R	Hose Adapter
20	31-0105-07-R	Hose Clamps
21	31-1624-07-R	Hose 1-1/2" x 24" Long
22	31-1589-00-R	Hose 1-1/2" x 72" Long (2 required)
23	9193-4182-R000	Pressure Gauge 0-60#
*25	14-1268-17-R	Pl Hex Capscrew 1/4 x 1 (2 required)
*26	14-0738-52-R	Pl Washer 5/16 x 3/4 x 1/16 (2 required)
27	9402-8156	Pump S15KR3

* Item Not Shown



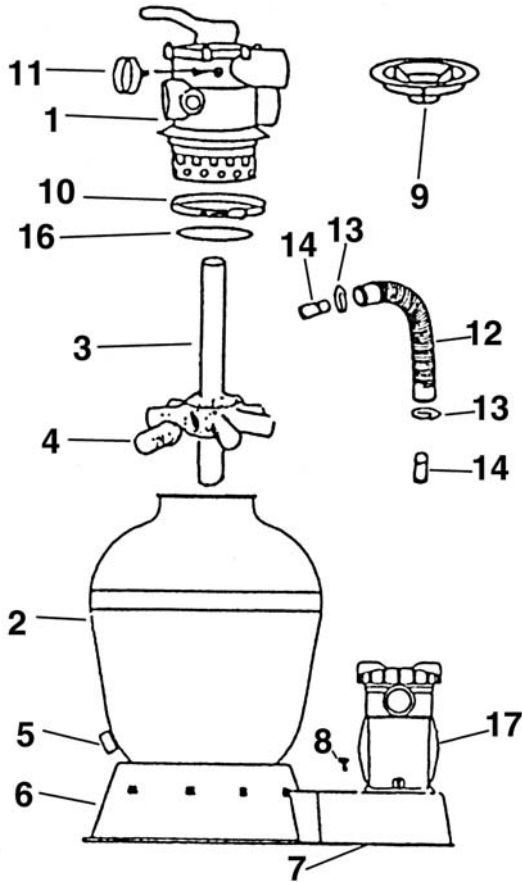
Manual E-1513

RV PUMP REPAIR PARTS



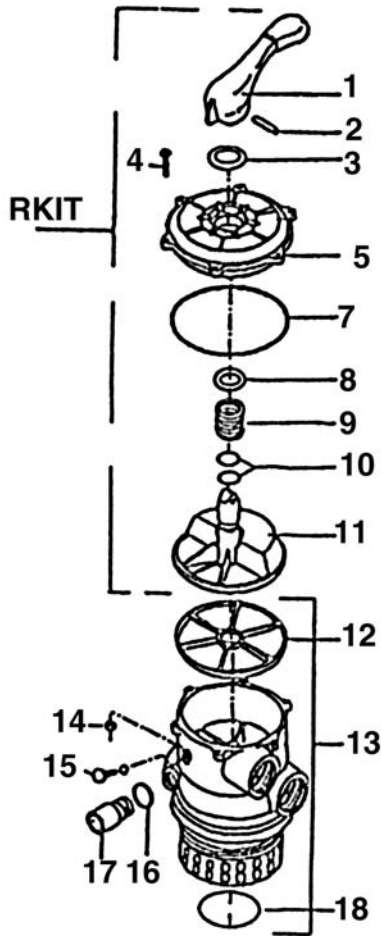
ITEM	P/N	DESCRIPTION
1	16-0988-08-R	Case assembly w/drain plug, 1-1/2" NPT
2	47-0466-02-R	Case square ring
3	47-0462-06-R	Diffuser square ring
4	06-0157-05-R	Diffuser, 3/4 - 1-1/2 HP
	06-0163-07-R	Diffuser, 2 HP
5	14-4206-08-R	Diffuser screw, 8-16 x 1-1/4 SS, 2 req'd.
6	10-1462-07-R	Eye seal, 3/4 - 1-1/2 HP
	10-1463-14-R	Eye seal, 2 HP
7	05-3800-01-R	Impeller, 3/4 HP (4-3/16 Dia.)
	05-3801-00-R	Impeller, 1 HP (4-1/16 Dia.)
	05-3802-09-R	Impeller, 1-1/2 HP (4-25/64 Dia.)
	05-3803-08-R	Impeller, 2 HP (4-9/16 Dia.)
8	10-1502-09	Mechanical shaft seal
9	02-1683-00-R	Bracket, 3/4 - 1-1/2 HP
	02-1682-01-R	Bracket, 2 HP
10	14-1293-24-R	Bracket bolt, 3/8 - 16 x 7/8, 4 req'd.
11	12-1036-02-R	Base assy. w/fastener kit
12	14-4244-02-R	Base fastener kit
13	16-1052-15-R	Strainer basket
14	39-2562-01-R	Strainer cover
15	47-0352-41-R	Strainer o-ring
16	9011-9488-R	Motor, 3/4 HP 1.0 SF
	9011-9496-R	Motor, 1 HP 1.0 SF
	9011-9504-R	Motor, 1.5 HP 1.0 SF
	9011-9512-R	Motor, 2 HP 1.0 SF

PARTS FOR MODEL SS160 & SS18.5 SAND SYSTEMS



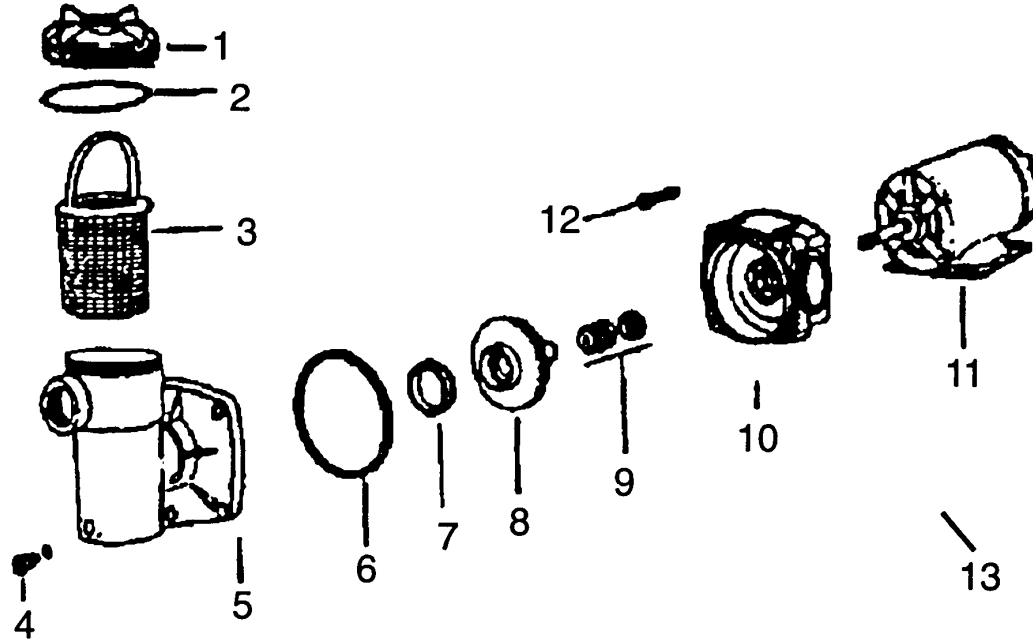
ITEM	P/N	DESCRIPTION
1	39-2585-09	Dial Valve 15 VK
2	94-0856-23	Replacement Filter Tank SS18.5
	94-0857-45	Replacement Filter Tank SS160
3	42-3531-07	Standpipe Assy. f/SS18.5 (28" Lg)
	42-3542-08	Standpipe Assy. f/SS16.0 (14-7/8" Lg) (order laterals #4 separately)
4	85-5320-00-R	Laterals (8 ea req'd)
5	85-8263-00-R	Drain cap w/1310236 gskt.
6	12-1121-08-R	Base filter tank support
7	12-1122-07	Base pump support
8	14-4339-08	Pump mfg. screws 1/4 x 1-1/8 hex
9	22-5522-02-R	Fill cover
10	85-8139-02-R	Clamp v-band
11	91-9341-82-R	PG-60 pressure gauge 1/4" 0-60#
12	31-1659-05	Hose 1-1/2" x 28" L
	31-1589-00-R	Hose 1-1/2" x 72" L
13	31-0024-05-R	Hose clamp (2 es req'd)
14	31-1713-09-R	Male adapter 1-1/2" NPT w/barb
16	47-6172-04-R	O-Ring
17		Pump
	9402-8453	S1KMG3
	9402-8516	S15KMG3
	9402-8537	S1KMG6
	9402-8545	S15KMG6
	9402-8626	S15KMGT
	9402-8594	S7KMG3
	9402-8529	S7KMG6

PARTS FOR 1-1/2" DIAL VALVES



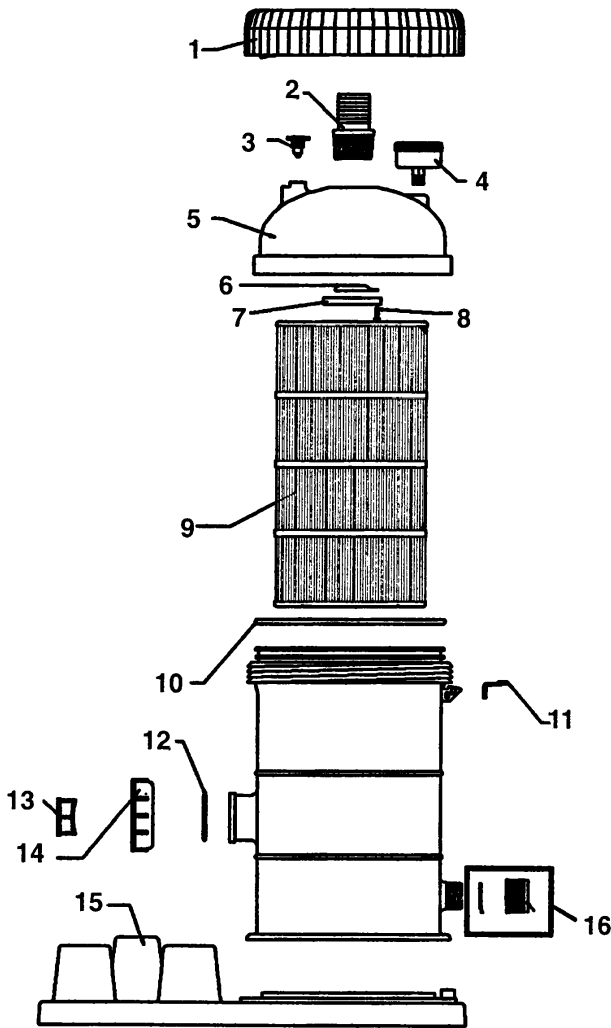
ITEM	P/N	DESCRIPTION	1-1/2"	2"
1	39-2611-02-R	Handle	X	X
2	14-4263-08-R	Pin SS	X	X
3	14-4264-07-R	Washer NYL.	X	X
4	14-4265-06-R	Screw SS (6 ea req'd)	X	X
5	39-2632-07-R	Cover 1-1/2" DV	X	
7	47-0236-01-R	O-Ring Nitrile 1-1/2" DV	X	
8	14-4266-05-R	Washer	X	X
9	16-1092-09-R	Spring SS	X	X
10	47-0212-09-R	O-Ring Nitrile	X	X
11	16-1108-01-R	Valve diverter Noryl 1-1/2" DV	X	
12	13-1076-02-R	Spider gasket Kraton 1-1/2" DV	X	
13	39-2636-03-R	Valve body 1-1/2" DV		
14	14-4267-04-R	Nut SS	X	X
15	14-4268-03-R	1/4" Plub ABS	X	X
16	13-1075-03-R	Gasket Nitrile	X	X
17	23-4823-00-R	Sight glass	X	X
18	47-0240-05-R	O-Ring Nitrile 1-1/2" DV	X	
RKIT	39-2634-05-R	REPAIR KITS Handle / cover assy. 1-1/2" DV		

PARTS FOR MODEL K PUMP



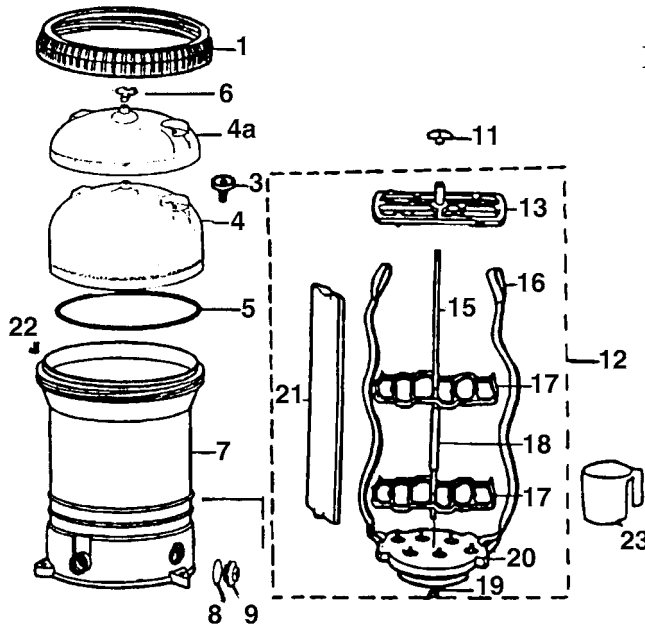
ITEM	P/N	DESCRIPTION
1	39-2562-01-R	Strainer Cover
2	47-0352-41-R	O-ring 4-7/8 x 5-1/4 x 3/16
3	16-0240-02-R	Basket
4	31-1609-06-R	Plug w/ 47-0112-00 O-Ring
5	16-1114-03-R	K str./flg.
	16-1101-08-R	Strainer Case Assy. w/plugs
6	47-0254-08-R	O-Ring 5-1/2 x 5-3/4 x 1/8
7	10-1462-07-R	Seal Ring
8	05-3862-06-R	Impeller for S7KH
	05-3863-05-R	Impeller for S1KH
	05-3864-04-R	Impeller for S15KH
9	10-0002-06-R	Mechanical Seal
10	02-1673-00-R	Bracket K Splash
11	9010-1189-R	S7KHMG motor
	9010-1197-R	S1KHMG motor - .75 HP 115 Volts
	9010-0702-R	1 HP 115 Volts
	9010-0710-R	1.5 HP 115 Volts
12	14-4239-08-R	1/4 - 14 x 1-1/8 hex. wash (4 req'd)
13	23-4856-00-R	3' NEC Twist lock cord
	23-4857-09-R	6' cord
N.S.	23-4869-05	Outlet / NEC Twist lock
N.S.	23-4870-02	Outlet / Cover Twist lock

PARTS FOR MODELS CE40, CE60



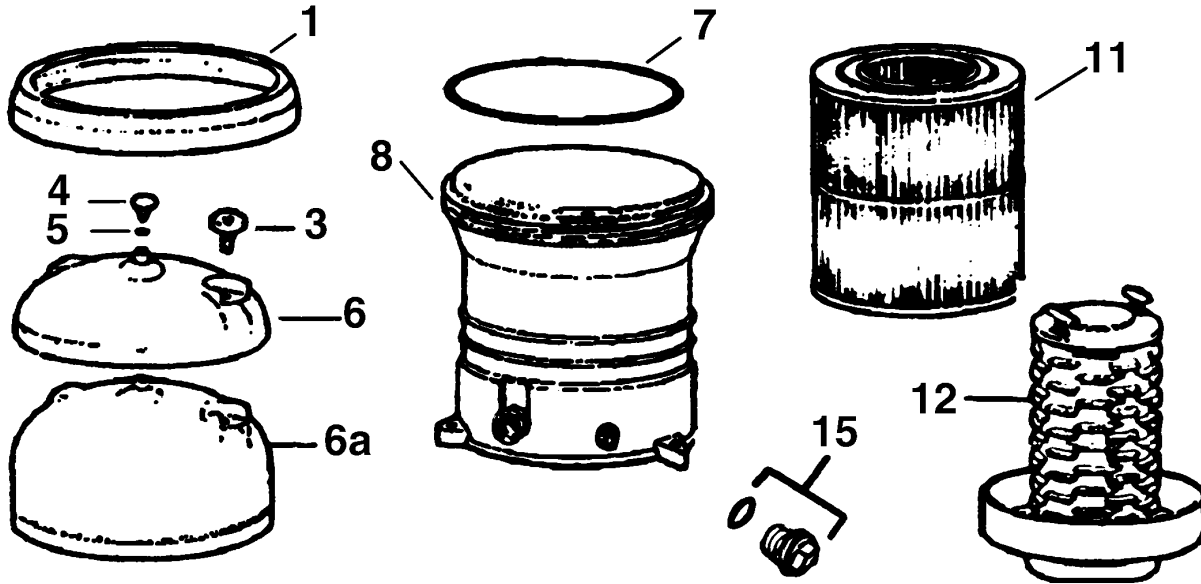
ITEM	P/N	DESCRIPTION
1	42-3723-00-R	CE Ring-Lok Nut
2	31-1590-07-R	Adapter
3	39-2547-01-R	Air Valve Knob w/O-Ring
4	9193-4182-R	Pressure Gauge
5	42-3721-02-R	CE40 Cover
	42-3720-03-R	CE60 Cover
6	91-9852-34-R	CE Check Valve
7	43-3147-07-R	Retainer
8	14-4374-04-R	Screw (3 req'd)
9	42-3724-09-R	CE40 Element
	42-3725-08-R	CE60 Element
10	47-0371-06-R	CE Body O-Ring
11	42-3-01-07-R010	Locking Tab
12	47-0226-03-R	Union O-Ring
13	43-3146-08-R	Baffle
14	31-1724-06-R	Split Union Nut w/screw
15	12-1141-04-R	CE Base
16	85-8263-00-R	Drain Cap w/gasket

PARTS FOR DE FILTER



ITEM	P/N	DESCRIPTION
1	42-2850-07-R	SP Ring Lok Nut
3	9193-4182-R	Pressure Gauge
4	42-3610-14-R	Lid Cover SP40, SP70, SP75
4a	42-3612-12-R	Lid Cover SP50, SP55
5	47-380-47-R	Cover O-Ring
6	14-4282-05-R	Air Bleed Know w/O-ring boot
7	42-3579-13-R	SP50, SP70, SP75 Body
	42-3578-14-R	SP40 Body
8	47-0328-00-R	O-Ring
9	43-3091-03-R	Plug w/ O-ring #8
11	42-3614-02-R	SP Handle
12	42-3562-06-R	SP40 Grid Cassette
	42-3662-03-R	SP50 Grid Cassette
	42-3567-09-R	SP55 Grid Cassette
	42-3558-00-R	SP70 Grid Cassette
	42-3664-01-R	SP75 Grid Cassette
13	42-3544-07-R	Upper Support plate
15	14-4286-01-R	SP40 Wiper Tie Rod
	14-4350-02-R	SP50 Wiper Tie Rod
	14-4285-02-R	SP55 Wiper Tie Rod
	14-4283-04-R	SP70 Wiper Tie Rod
	14-4351-01-R	SP75 Wiper Tie Rod
16	23-4836-05-R	SP40, SP50 Lifting Strap
		(set of 2 ea.)
	23-4835-06-R	SP55, SP75 Lifting Strap
		(set of 2 ea.)
	23-4834-07-R	SP70 Lifting Strap
		(set of 2 ea.)
17	42-3559-09-R	SP Wiper (2 each per unit)
18	31-1687-08-R	SP40 Spacer 3-1/4" Btm.
	31-1695-01-R	SP40 Spacer 3-1/32" Top
	31-1689-09-R	SP55 Spacer 6-1/4"
	31-1688-00-R	SP70 Spacer 9-1/4"
19	14-4314-07-R	Nut 1/4 - 20
20	42-3546-05-R	SP Manifold
21	42-3569-07-R	SP40, SP50 Grid
		(4 each per unit)
	42-3570-04-R	SP40, SP50 Grid
		(2 each per unit)
	42-3591-09-R	SP55, SP75 Grid
		(4 each per unit)
	42-3592-08-R	SP55, SP75 Grid
		(2 each per unit)
	42-3593-07-R	SP70 Grid
		(4 each per unit)
	42-3594-06-R	SP70 Grid
		(2 each per unit)
22	42-3601-07-R010	Locking Tab
		(1 = pkg set of 10)
23	42-3541-00	DE Scoop

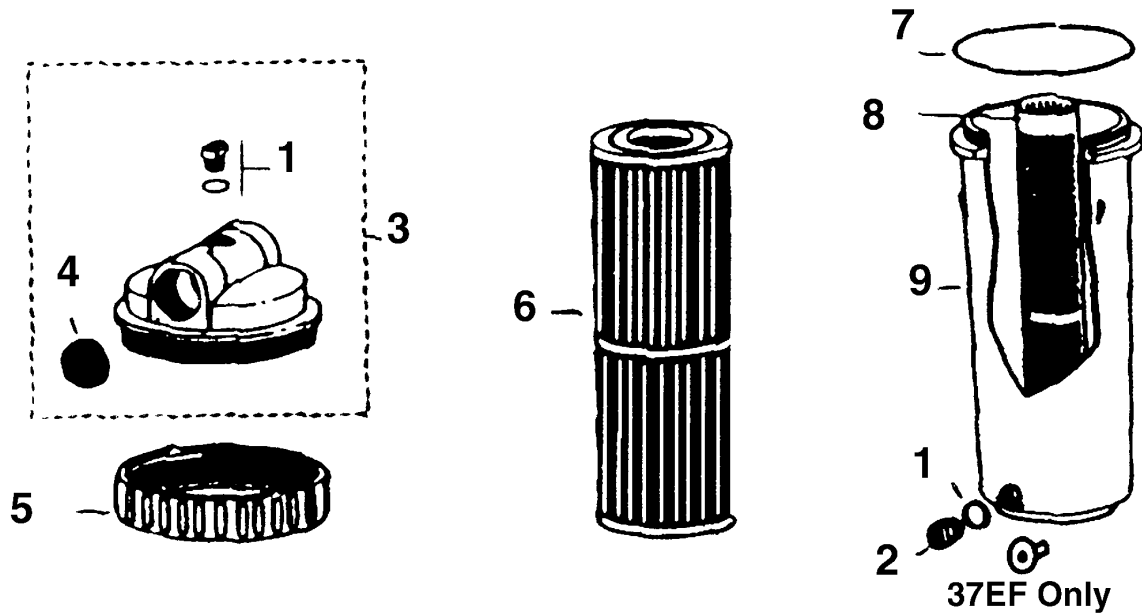
PARTS FOR MODELS 50EF, 75EF



ITEM	P/N	DESCRIPTION
1	42-2850-07-R	Ring-Lok Nut
*2	42-3601-07-R	Locking Tab
3	9193-4182-R	Pressure Gauge
4	39-2547-01-R	Air Bleed Valve
5	47-0106-08-R	O-Ring
6	42-3612-12-R	Cover 50EF
6a	42-3610-14-R	Cover 75EF
7	47-0380-47-R	O-Ring
8	42-3621-11-R	Body, 50 & 75 EF w/ 1-1/2" conn.
11	42-3659-08-R	Element, 50 sq. ft.
	42-3660-05-R	Element, CFR 75
12	42-2942-07-R	Dirt Catcher, 50 sq. ft.
	42-2995-03-R	Dirt Catcher, 75 sq. ft.
*14	42-3601-07-R	CFR Locking Tab
15	43-3091-03-R	Drain Plug 1-1/2 (with O-Ring 47-0328-00)

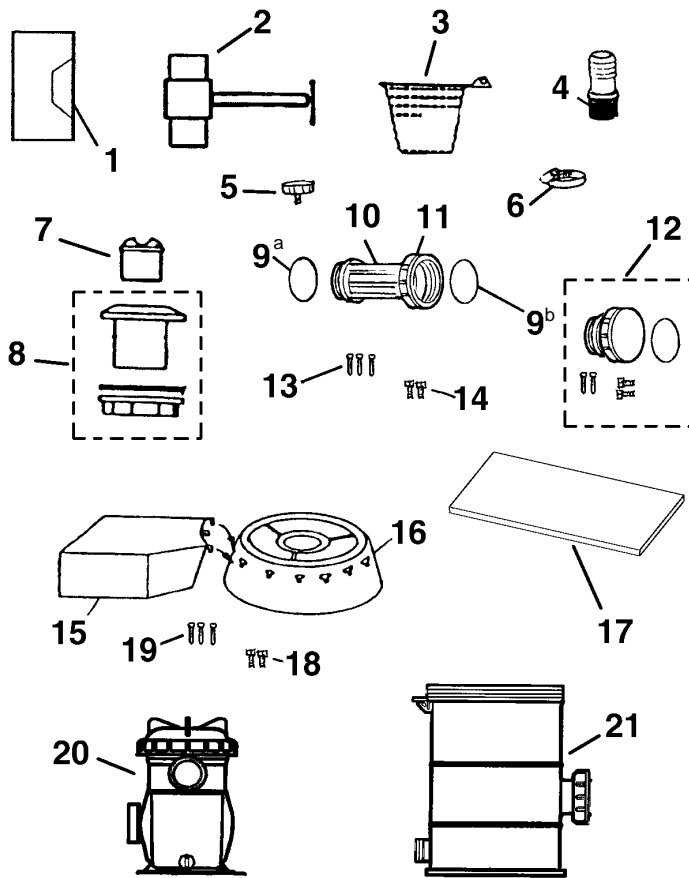
* Item Not Shown

PARTS FOR 25EF & 37EF SPLASHPAK



ITEM	P/N	DESCRIPTION
1	31-1609-06-R	Plug w/ 47-0112-00 O-Ring
3	42-2756-20-R	Cover, Threaded
4	16-0282-01-R	By-Pass Valve
5	42-2828-06-R	Nut
6	42-2891-08-R	Element Model 25EF
	42-3533-00-R	Element Model 37EF
7	47-0360-09-R	O-Ring
8	42-2761-05-R	Column Pipe
9	42-2783-17-R	25 EF Body
10	9193-4182	Pressure Gauge

SYSTEM COMPONENTS



ITEM	P/N	DESCRIPTION
1	43-3107-05	Video
2	9190-5200	Gate Valve
3	4306-7602	Basket
4	31-1590-07	Adapter (2)
5	9193-4182	Pressure Gauge
6	31-0105-07	Clamp (4)
7	43-3106-06	Eyeball Assy.
8	43-3105-07	Inlet Fitting
9a	47-0328-00-R	O-Ring 1-7/8 IDx3/16 TK
9b	47-0328-00	O-Ring 2-1/4 IDx1/8 TK
10	42-3632-00	Pipe
11	14-4273-06	Nut
12	42-3668-07	Hardware Kit
13	14-4355-07-R	Self Tapping screws (3 req.) 1-3/4"
14	14-4339-08-R	Pl. Hex Capscrew 1/4 - 20 x 1 (2 req.)
15	12-1123-00 12-1123-07 12-1138-09 (42-3667-00)	Pump Base Assy. UL Non-UL
16	12-1121-08	Filter Base Assy.
17	12-1119-02-R	Flat Base Assy.
18	14-4339-08	Pl. Hex Cap Screws (2)
19	14-4355-07	Self-tapping Screws (3)
20	9402-9303 9402-9329 9402-9311 9402-9337 9402-8552 9402-7976 9402-7984 9402-8560 9402-8578 9402-8586	S7KHMG9-3 S7KHMG9-6 S1KHMG9-3 S1KHMG9-6 S7KG9-3 S1KG9-3 S15KG9-3 S7KG9-6 S1KG9-6 S15KG9-6
21	4237-2201-R	CE RSPL Body
N.S.	9408-4316-RSPL 9408-6634-RSPL 9408-6642-RSPL	SP40 Filter SP55 Filter SP70 Filter



Call us for your Jacuzzi® part needs!
1-888-JWB-PART (592-7278)



PRODUCT SPECIFICATIONS ARE SUBJECT TO CHANGE WITHOUT NOTICE.
USE INSTALLATION INSTRUCTIONS SUPPLIED WITH PRODUCT.

CCO WHIRLPOOL & SPA SERVICE

6075 East Henrieta Road
P.O. Box 8
Rush, New York 14543-0008

Customer Service: 888-JWB-PART (592-7278)
Fax: 585-533-1349

© 2002 CCO Whirlpool & Spa Service All Rights Reserved. No portion of this catalog may be copied, reproduced nor distributed, electronically or otherwise, without the express written permission of CCO Whirlpool & Spa Service

REV: 03.01.02